

22" LED FHD Monitor

MW3222-F



Key Features

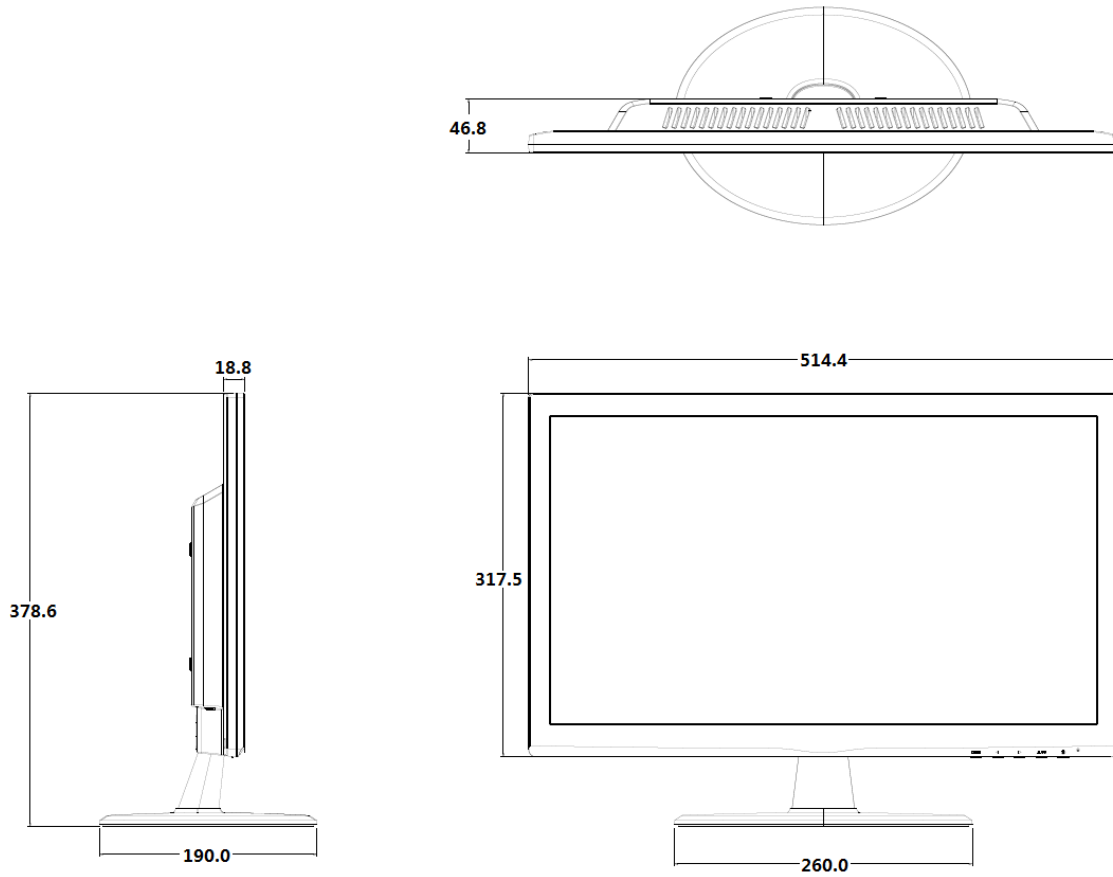
- True color display
- Resolution is up to at 1920×1080
- Wide view of field:170°(H)/ 160°(V)
- Specific menu design, which is simple to operate
- Support 7*24 working and lower power consumption
- Adaptively recognize signal
- VESA stand bracket
- Support multiply language

Specifications

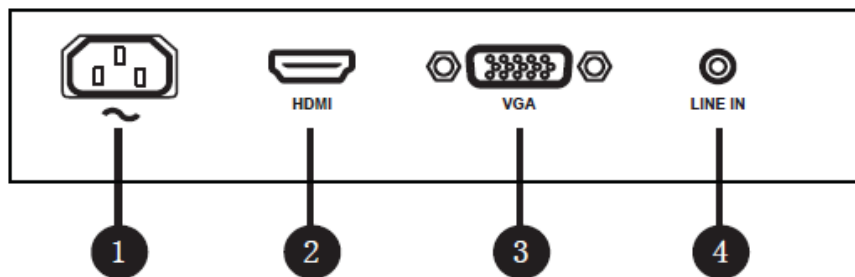
Model	MW3222-F
Display	
Display Type:	LED Backlight
Screen Size	21.5"
Pixel Pitch(mm)	0.2482× 0.2482
Max Resolution	1920×1080
Brightness	250 cd/m ²
Contrast	1000:1
Response Time	5ms
color	16.7M
Viewing Angle	Horizontal 170°, Vertical 160°
Interface	
VGA	1
HDMI	1
Audio In	1
Audio	
Audio Input	1, 3.5 mm mini-jack
Speaker	2x2W
OSD	
Multi- Language	11 (English, French, German, Italian, Simplified Chinese, Traditional Chinese, Korean, Japanese, Espanola, Portuguese, Russian)
Mounting	
VESA	100mm x 100mm
General	
Power supply	AC 100~240V, 50~60Hz
Consumption	<30 W(on) <0.5 W(Standby)
Operation Temperature	5°C ~ 40 °C
Operating Humidity	20%~80% (No Condensation)
Storage Temperature	-20°C ~ 60°C
Storage Humidity	10%~85% (No Condensation)
Dimension (W×H×D)	511 mm × 377 mm × 182 mm
Weight:	Net Weight:3.4Gross Weight:4.5
Accessory	
Standard	HDMI cable, Power cable, Pedestal, Quick Guide
Optional	Hanging bracket

Appearance

Dimensions



Interfaces



①AC power input	②HDMI
③VGA	④LINE IN

Building No.10, Wanlun Science Park, Jiangling Road 88, Binjiang District, Hangzhou, Zhejiang, China

Email: overseasbusiness@uniview.com; globalsupport@uniview.com

<http://www.uniview.com>

©2017 Zhejiang Uniview Technologies Co.,Ltd. All rights reserved.

*Product specifications and availability are subject to change without notice.